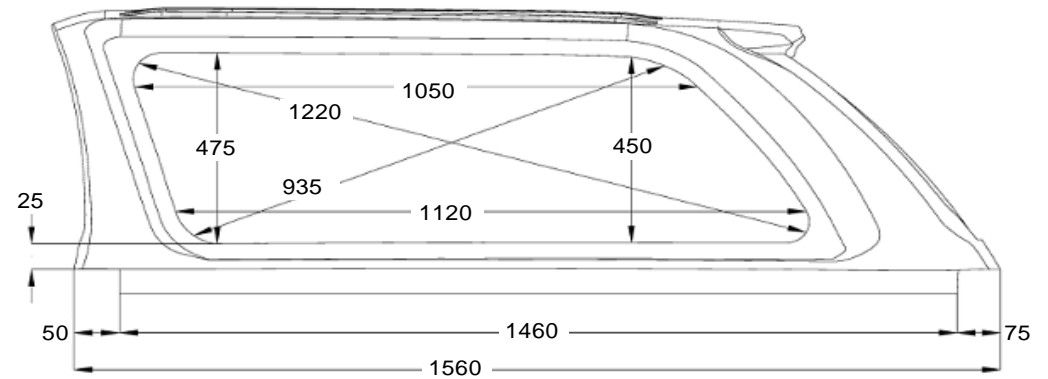
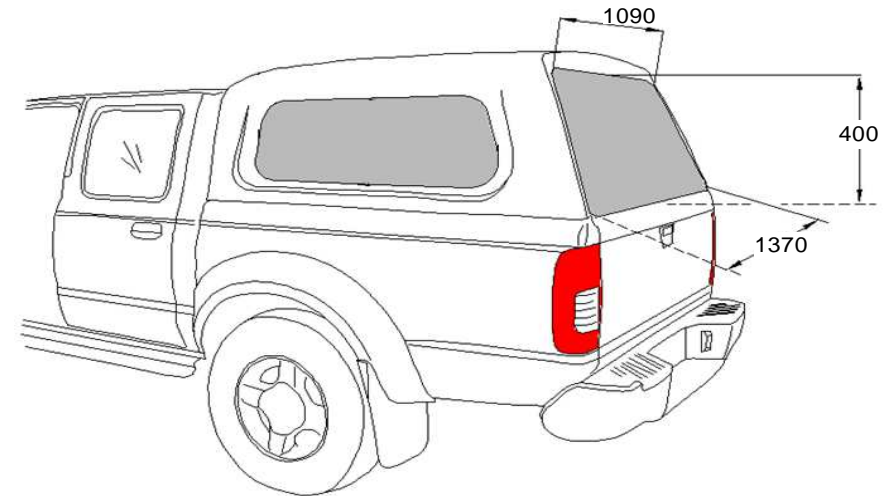


Net weight: 88,00 kg
 Gross weight: 118,00 kg
 Volume: 2,27 m³



10 X 40 X 10000 GKS ECONOMY - 1,75 m
 20 x 10 x 5000 GKS ECONOMY - 1,65 m
 7 X 50 X 10000 A/60/PT3 PE-L - 3,2 m